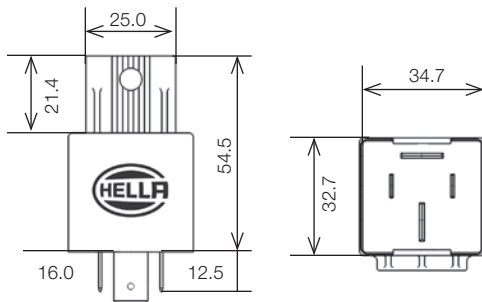


**Part No.**

**003437101 - Single - Min Order Qty: 1**



**Dimension Drawing**



**Technical Data**

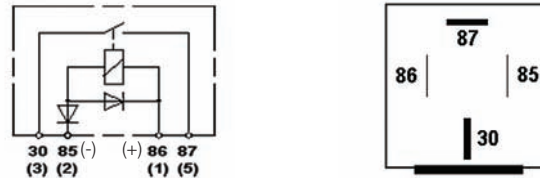
<b>Nominal Voltage</b>	12V	<b>Operating / Releasing Time</b>	≤ 10 ms / ≤ 20 ms
<b>Rated Continuous Load</b>	N/O 60A at 85°C	<b>Dielectric Strength</b>	≥ 1,000 VDC
<b>Ambient Temperature</b>	-40°C...+85°C	<b>Max. Inrush Load</b>	200A
<b>Contact Form</b>	1 Form A / SPST N/O	<b>Resistive Load / Switching Cycles</b>	60A, 100,000 cycles
<b>Contact Material</b>	AgSnO2	<b>Inductive load / Switching Cycles</b>	---
<b>Operating / Drop out Voltage</b>	≤ 7.5V / ≥ 1.0V	<b>Lamp Load (capacitive) / Switching Cycles</b>	---
<b>Max.Coil Voltage</b>	---	<b>Vibration</b>	20 – 200 Hz, 50 m/s <sup>2</sup> , 6 h per axis
<b>Coil Resistance</b>	85 Ohm ± 10% (excl. suppression component)	<b>Mechanical Shock</b>	500 m/s <sup>2</sup> , 11 ms, period: 1 min, 1,000 times
<b>Suppression</b>	Diode 2x	<b>IP Rating</b>	IP54 DIN IEC 60 529
<b>Mechanical Cycles</b>	10,000,000	<b>Terminals</b>	85, 86: ISO 8092 6.3 x 0.8, CuZn 30: ISO 8092 9.5 x 1.2, E-Cu, gal Sn 87: ISO 8092 9.5 x 1.2, E-Cu

**Notes**

**Mini ISO Heavy Duty Relay**

- 12 Volt
- SPST / Form A
- Diode Coil Suppression
- 60 Amp Continuous
- Mounting Bracket

**Diagram**



**Accessories**

- H84703001** RELAY SOCKET 70A 4 TERM, Qty: 1
- H84703007** RELAY SOCKET 70A 4 TERM, Qty: 50
- U84703007** RELAY SOCKET 70A 4 TERM, Qty: 2,100
- H84991151** TERMINAL 9.5 x 1.2 W/ CATCH 4.0-6.0mm2, Qty: 50
- 172615007** TERMINAL 9.5 x 1.2 W/ CATCH 4.0-6.0mm2, Qty: 2,000 /Spool
- H84991141** TERMINAL 9.5 x 1.2 W/ CATCH 6.0-10.0mm2, Qty: 50
- 172616007** TERM 9.5 x 1.2 W/ CATCH 6.0-10.0mm2, Qty: 1,800 /Spool
- 701235033** TERMINAL 6.3 x 0.8 W/ CATCH, Qty: 100
- 701235034** TERMINAL 6.3 x 0.8 W/ CATCH, Qty: 1,500

\*All measurements are in Millimeters.

**Cross Reference**

Cole Hersee

RA-700112-DN