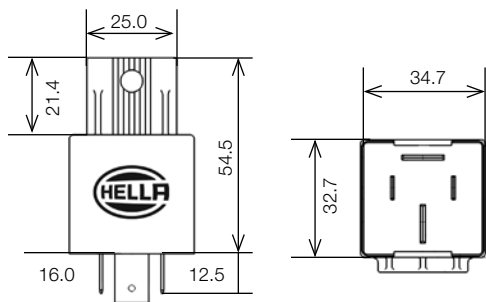


Part No.

H41437091 - Single - Min Order Qty: 1
003437097 - Bulk- Min Order Qty: 120



Dimension Drawing



Technical Data

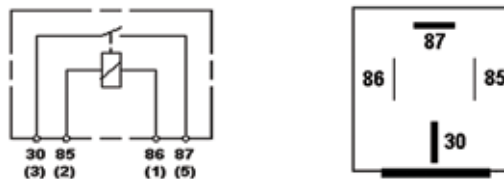
Nominal Voltage	24V	Operating / Releasing Time	≤ 10 ms / ≤ 10 ms
Rated Continuous Load	N/O 60A at 85°C	Dielectric Strength	≥ 1,000 VDC
Ambient Temperature	-40°C...+85°C	Max. Inrush Load	200A
Contact Form	1 Form A / SPST N/O	Resistive Load / Switching Cycles	60A, 100,000 cycles
Contact Material	AgSnO2	Inductive load / Switching Cycles	---
Operating / Drop out Voltage	≤ 17.0V / ≥ 5.0V	Lamp Load (capacitive) / Switching Cycles	---
Max.Coil Voltage	---	Vibration	20 – 200 Hz, 50 m/s ² , 6 h per axis
Coil Resistance	310 _ ± 10%	Mechanical Shock	500 m/s ² , 11 ms, period: 1 min, 1,000 times
Suppression	None	IP Rating	IP54 DIN IEC 60 529
Mechanical Cycles	10,000,000	Terminals	85, 86: ISO 8092 6.3 x 0.8, CuZn 30: ISO 8092 9.5 x 1.2, E-Cu, gal Sn 87: ISO 8092 9.5 x 1.2, E-Cu

Notes

Mini ISO Heavy Duty Relay

- 24 Volt
- 60 Amp Continuous
- SPST / Form A
- Mounting Bracket

Diagram



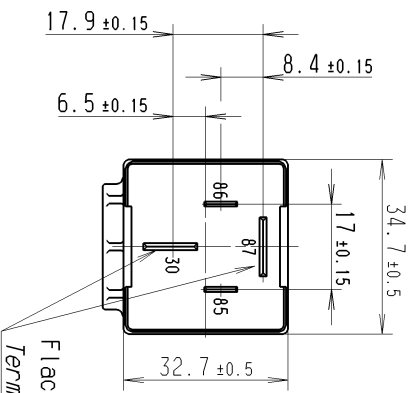
Accessories

- H84703001** RELAY SOCKET 70A 4 TERM, Qty: 1
- H84703007** RELAY SOCKET 70A 4 TERM, Qty: 50
- U84703007** RELAY SOCKET 70A 4 TERM, Qty: 2,100
- H84991151** TERMINAL 9.5 x 1.2 W/ CATCH 4.0-6.0mm², Qty: 50
- 172615007** TERMINAL 9.5 x 1.2 W/ CATCH 4.0-6.0mm², Qty: 2,000 /Spool
- H84991141** TERMINAL 9.5 x 1.2 W/ CATCH 6.0-10.0mm², Qty: 50
- 172616007** TERM 9.5 x 1.2 W/ CATCH 6.0-10.0mm², Qty: 1,800 /Spool
- 701235033** TERMINAL 6.3 x 0.8 W/ CATCH, Qty: 100
- 701235034** TERMINAL 6.3 x 0.8 W/ CATCH, Qty: 1,500

*All measurements are in Millimeters.

Cross Reference

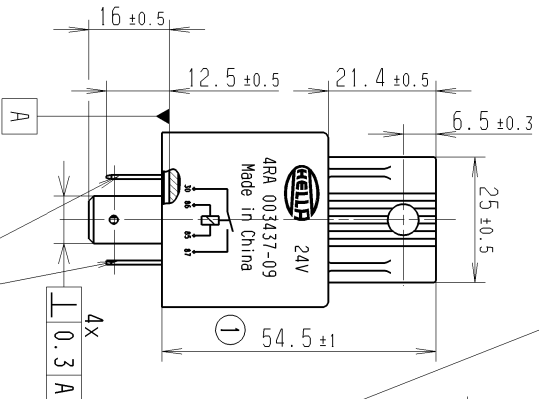
Tyco
 VF7-41H11
 V23134-J1053-D642



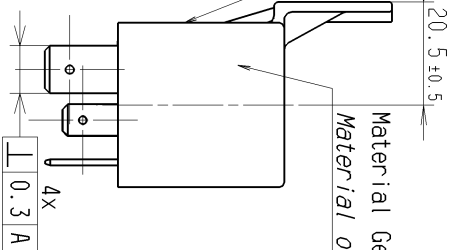
Flachstecker 30/87 ISO 8092 - A9,5 - 1,2
Terminal 30/87 ISO 8092 - A9,5 - 1,2

Date code (blue printed)
1.-2. Digit: week
3. Digit: year

Beschriftung weiss aufgedruckt
Label printed white

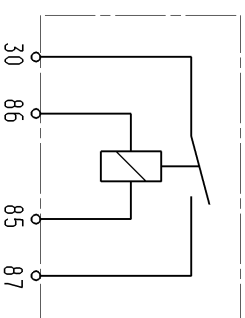


Material Gehäuse: PBT schwarz
Material of Housing: PBT black



Flachstecker 85/86 ISO 8092 - A6,3 - 0,8
Terminal 85/86 ISO 8092 - A6,3 - 0,8

Prinzip-Schaltplan
Principle-circuit diagram



Umweltnorm Hella-N20100-02 ist zu beachten
Hella Environmental Standard No 20100-02 to be considered

Oberflaeche		Sur-face		Aenderung		Aender.-Nr.		Datum		K-Gr./Name	
20	30	Rev.	Ind	was	Page	106937	2004-09-08	EET11/Dzews	Depart./Name		
X	Neuerteilung	Relocation	135921	15-Jan-2008	EET11/Blanke	
X	*Made in China* was "Made by Hella"					
.						
.						
.						
Dieses Dokument ist vertraulich zu behandeln. Die Weitergabe sowie Vervielfaeltigung, Vermertung und Mittelung seines Inhalts ist nur mit unserer ausdru cklichen Genehmigung gestattet. Alle Rechte vorbehalten. Insbesondere f ur den Fall der Schutzrechtsverletzung.											
This document has to be treated confidentially. Its contents are not to be passed on, duplicated, exploited or disclosed without our express permission. All rights reserved, especially the right to apply for protective rights.											
Material		Allgemeintoleranz		Gewicht		74		G			
General Tolerance				Material							
Scale		1:1		Datum		Date		Name			
Projektionsmethode		Projection		Erstst./Znwk		2004-09-08		DZEWAS			
Zeichnungsart		First angle		Draem				HOFFMANN			
Konstr.-Gr.		Department		Checked		EE-71					
Benennung		ARBEITSTROMRELAIS 24V		Ordnungs-Nr.		Material-Nr.		Hueck & Co.		Revision	
Title		RELAY NORMALLY OPEN 24V		4RA		003437-09		AB			
Erstverwendung:		First Project No.:		Zeichnungs-Nr.		Drawing No.		Format		Size	
CATIA:003437-09_AZ1.PED,001,02		2008-06-30 04:32		003437-09_AZ1		003437-09_AZ1		A3			
Blatt:		01		Blattanzahl:		01					
Dok.-Status:		FR (Freigegeben /Released)									