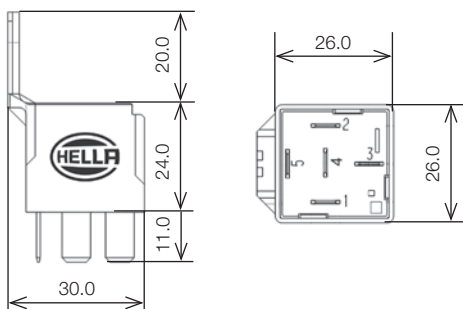


**Part No.**

**007957011 - Single - Min Order Qty: 1**  
**007957017 - Bulk - Min Order Qty: 200**



**Dimension Drawing**



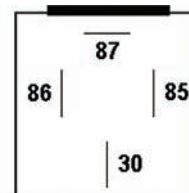
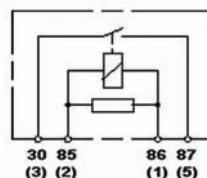
**Technical Data**

<b>Nominal Voltage</b>	24V	<b>Operating / Releasing Time</b>	≤ 10 ms / ≤ 10 ms
<b>Rated Continuous Load</b>	N/O 20A at 85°C	<b>Dielectric Strength</b>	≥ 1,000 VDC
<b>Ambient Temperature</b>	-40°C...+125°C	<b>Max. Inrush Load</b>	150A lamp / 166A motor
<b>Contact Form</b>	1 Form A / SPST N/O	<b>Resistive Load / Switching Cycles</b>	20A, 150,000 cycles
<b>Contact Material</b>	AgSnO2	<b>Inductive load / Switching Cycles</b>	16A, 100,000 cycles
<b>Operating / Drop out Voltage</b>	≤ 17.0V / ≥ 3.5V	<b>Lamp Load (capacitive) / Switching Cycles</b>	15A, 135,000 cycles
<b>Max.Coil Voltage</b>	36V	<b>Vibration</b>	20 – 200 Hz, 50 m/s <sup>2</sup> , 6 h per axis
<b>Coil Resistance</b>	305 Ohm ± 10% (excluding suppression component)	<b>Mechanical Shock</b>	500 m/s <sup>2</sup> , 11 ms, period: 1 min, 1,000 times
<b>Suppression</b>	Resistor, 1,200 Ohm	<b>IP Rating</b>	IP54 DIN IEC 60 529
<b>Mechanical Cycles</b>	10,000,000	<b>Terminals</b>	85, 86: ISO 8092 6.3 x 0.8, CuZn, gal Sn 30, 87: ISO 8092 6.3 x 0.8, E-Cu, gal Sn

**Mini ISO Relay**

- 24 Volt
- SPST / Form A
- Resistor Coil Suppression
- 20 Amp Continuous
- Mounting Bracket

**Diagram**



**Accessories**

- H84989031** RELAY SOCKET MINI 5 TERM PRINTED CIRCUIT BOARD, Qty: 1
- H84989037** RELAY SOCKET MINI 5 TERM PRINTED CIRCUIT BOARD, Qty: 50
- H84989011** RELAY SOCKET MINI 5 TERM W/ BRACKET, Qty: 1
- H84989017** RELAY SOCKET MINI 5 TERM W/ BRACKET, Qty: 50
- U84989017** RELAY SOCKET MINI 5 TERM W/ BRACKET, Qty: 1,000
- H84526001** RELAY SOCKET MINI 5/9 TERM W/ BRACKET, Qty: 1
- 003526002** RELAY SOCKET MINI 5/9 TERM W/ BRACKET, Qty: 50
- 003526001** RELAY SOCKET MINI 5/9 TERM W/ BRACKET, Qty: 1,000
- H84989021** RELAY SOCKET MINI 5 TERM F/HARNESS, Qty: 1
- H84989027** RELAY SOCKET MINI 5 TERM F/HARNESS, Qty: 50
- 701235033** TERMINAL 6.3MM x 0.8MM W/ CATCH, Qty: 100
- 701235034** TERMINAL 6.3MM x 0.8MM W/ CATCH, Qty: 1,500

\*All measurements are in Millimeters.

**Notes**

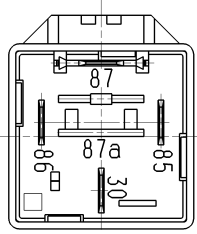
**Cross Reference**

**Cole Hersee**

- RA-200124-NN
- RA-200124-RN
- RA-200124-DN

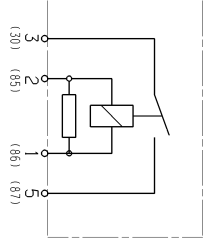


Optional view for HEC  
Vista opcional para HEC

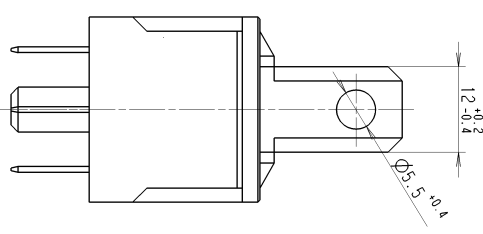
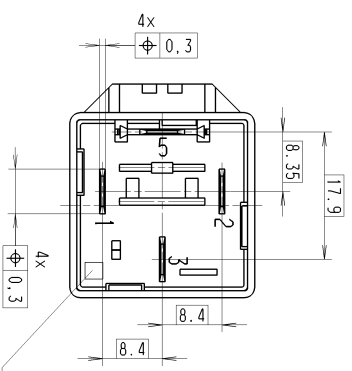


12

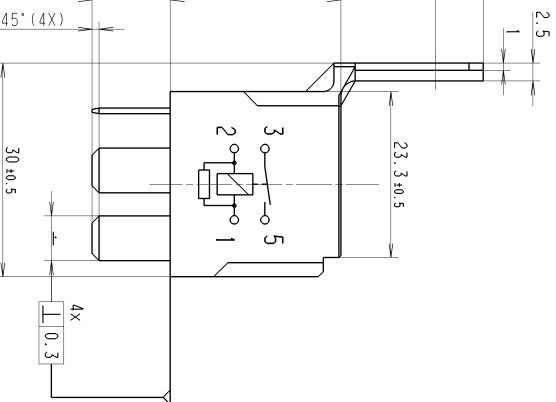
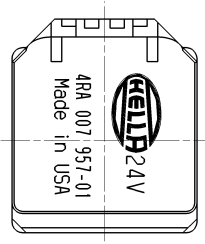
Principle Circuit Diagram  
Esquema-Funcionamiento



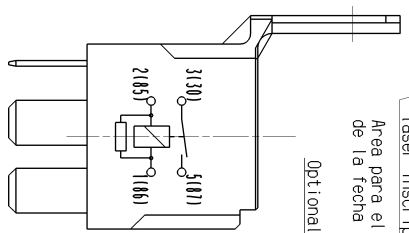
optional: numero de la placa base  
optional: base plate version number



Optional view for HEC  
Vista opcional para HEC



Manufacturing code  
Area para el sello  
de la fecha



15

- 1, 2: Terminales 150 8092 6, 3x0, 8 - CuZn estanoado
  - 1, 2: Blade Terminals 150 8092 6, 3x0, 8 - CuZn tin plated
  - 3, 5: Terminales 150 8092 6, 3x0, 8 - E-Cu estanoado
  - 3, 5: Blade Terminals 150 8092 6, 3x0, 8 - E-Cu tin plated
  - Carcasa: PBT -GF20, color: negro
  - Housing: PBT -GF20, colour: black
  - Placa base: PA6, 6 GF9 MF28 color negro
  - Base plate: PA6, 6 GF9 MF28 black
  - Inscripcion moldeada
  - Inscription molded in recessed
- Descripcion del codigo de la fecha de fabricacion  
Description of manufacturing date code  
Fecha/Lote/Codigo de la linea de montaje X XXX XX (approx. 3mm de altura)  
Date/Lot/Assembly line code X XXX XX (approx. 3mm high)
- 1.Digit.: Año / Year
  - 2.-4.Digit.: Dia / Day
  - 5.Digit.: turno / Shift
  - 6.Digit.: linea de montaje / Assembly line
- Identificacion y localizacion de los terminales de acuerdo con la ISO 7588-1  
Footprint and terminal location according to ISO 7588-1  
Cutting edges may be free from plating

Umweltnorm Hella-N20100-02 ist zu beachten  
Hella Environmental Standard No 20100-02 to be considered

Rev.	Modif.	Fecha	Descripción	Rev. Descripción	Fecha	Descripción
1		11/08/2006	6203/Reservagen			
2		27-04-2006	6203/No.01an			
3		13-08-2004	6203/Banke			

Prüfverfahren	Überfläche	Handlungs	Hersteller	Material	Gen. Part.	Gr. 01
2030	Handwerk	Handwerk				
2030	Handwerk	Handwerk				

Project	Product	Production	Material	Material	Material
2-1	HEC	HEC	HEC	HEC	HEC

Benennung	Zeichnungs-Nr.	Material-Nr.	Form
ARBEITSTRÖMRELAIS 24V	007957-01	4311 PLYWOOD GMS BLVD PLYMOUTH TWP., MI 48170	AA
NORMALLY OPEN RELAY 24V	007957-01_AZ1		A2