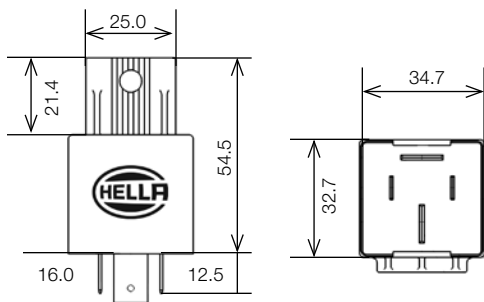


Part No.

003437101 - Single - Min Order Qty: 1



Dimension Drawing



Technical Data

Nominal Voltage	12V	Operating / Releasing Time	≤ 10 ms / ≤ 20 ms
Rated Continuous Load	N/O 60A at 85°C	Dielectric Strength	≥ 1,000 VDC
Ambient Temperature	-40°C...+85°C	Max. Inrush Load	200A
Contact Form	1 Form A / SPST N/O	Resistive Load / Switching Cycles	60A, 100,000 cycles
Contact Material	AgSnO2	Inductive load / Switching Cycles	---
Operating / Drop out Voltage	≤ 7.5V / ≥ 1.0V	Lamp Load (capacitive) / Switching Cycles	---
Max.Coil Voltage	---	Vibration	20 – 200 Hz, 50 m/s ² , 6 h per axis
Coil Resistance	85 Ohm ± 10% (excl. suppression component)	Mechanical Shock	500 m/s ² , 11 ms, period: 1 min, 1,000 times
Suppression	Diode 2x	IP Rating	IP54 DIN IEC 60 529
Mechanical Cycles	10,000,000	Terminals	85, 86: ISO 8092 6.3 x 0.8, CuZn 30: ISO 8092 9.5 x 1.2, E-Cu, gal Sn 87: ISO 8092 9.5 x 1.2, E-Cu

Notes

Mini ISO Heavy Duty Relay

- 12 Volt
- SPST / Form A
- Diode Coil Suppression
- 60 Amp Continuous
- Mounting Bracket

Diagram



Accessories

- H84703001** RELAY SOCKET 70A 4 TERM, Qty: 1
- H84703007** RELAY SOCKET 70A 4 TERM, Qty: 50
- U84703007** RELAY SOCKET 70A 4 TERM, Qty: 2,100
- H84991151** TERMINAL 9.5 x 1.2 W/ CATCH 4.0-6.0mm², Qty: 50
- 172615007** TERMINAL 9.5 x 1.2 W/ CATCH 4.0-6.0mm², Qty: 2,000 /Spool
- H84991141** TERMINAL 9.5 x 1.2 W/ CATCH 6.0-10.0mm², Qty: 50
- 172616007** TERM 9.5 x 1.2 W/ CATCH 6.0-10.0mm², Qty: 1,800 /Spool
- 701235033** TERMINAL 6.3 x 0.8 W/ CATCH, Qty: 100
- 701235034** TERMINAL 6.3 x 0.8 W/ CATCH, Qty: 1,500

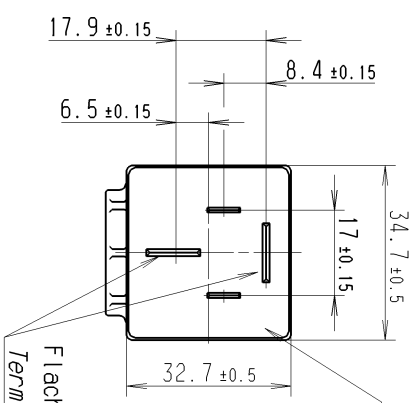
*All measurements are in Millimeters.

Cross Reference

Cole Hersee

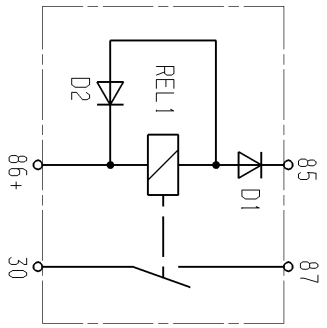
RA-700112-DN

Grundplatte mit Gehäuse vergossen
Base Plate with housing sealed

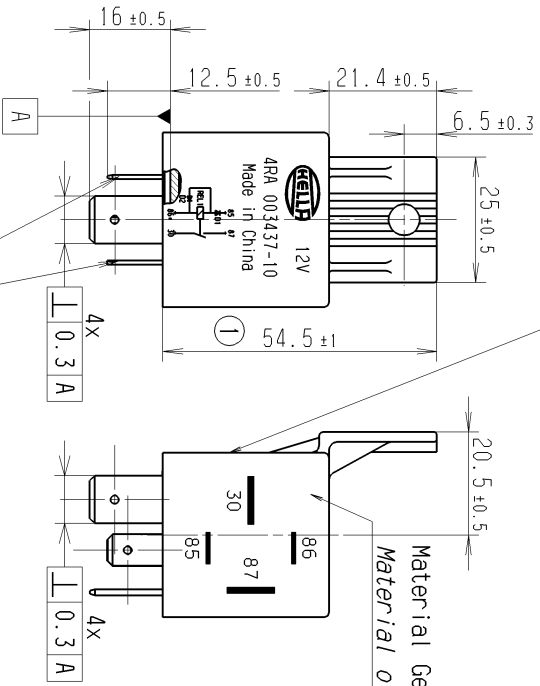


Flachstecker 30/87 ISO 8092 - A9,5 - 1,2
Terminal 30/87 ISO 8092 - A9,5 - 1,2

Prinzip-Schaltplan
Principle-circuit diagram



Date code (blue printed)
1.-2. Digit: week
3. Digit: year
Beschriftung weiss aufgedruckt
Label printed white



Material Gehäuse: PBT schwarz
Material of Housing: PBT black

Flachstecker 85/86 ISO 8092 - A6,3 - 0,8
Terminal 85/86 ISO 8092 - A6,3 - 0,8

Umweltnorm Hella-N20100-02 ist zu beachten
Hella Environmental Standard No 20100-02 to be considered

Oberflaeche		Surf face		Material		Allgemeintoleranz		General Tolerance	
X		X		X		X		X	
A-Index		Rev. Ind		war		Blatt		Aenderung	
20 30		Rev. Ind		was		Page		Rev. Descrip. tion	
X		X		X		X		X	
Neuerteilung		Relocation		135921		15-Jan-2008		EET11/B/anke	
106937		2004-09-08		EET11/D/ewas		106937		2004-09-08	
Aender.-Nr.		Datum		K-Gr.-/Name		Aender.-Nr.		Datum	
EUCO-No.		Date		Depart./Name		EUCO-No.		Date	
Gewicht		89		G		Gewicht		89	
G		G		G		G		G	
Dieses Dokument ist vertraulich zu behandeln. Die Weitergabe sowie Vervielfaeltigung, Vermertung und Mitteilung seines Inhalts ist nur mit unserer ausdru cklichen Genehmigung gestattet. Alle Rechte vorbehalten. Insbesondere for den Fall der Schutzrechtsverletzung.									
This document has to be treated confidentially. Its contents are not to be passed on, duplicated, exploited or disclosed without our express permission. All rights reserved, especially the right to apply for protective rights.									
Scale		1:1		Erstentwurf		2004-09-08		DZEWAS	
Projektionsmethode		Projection		Freigegeben		Checked		Konstr.-Gr.	
2X/XXXXXX		1		HOFMANN		EE-71		HOFMANN	
Benennung		ARBEITSTROMRELAIS 12V		Ordnungs-Nr.		Material-Nr.		Revision	
RELAY NORMALLY OPEN 12V		003437-10_AZ1		003437-10		AB		AB	
Erstverwendung:		First Project No.:		Blatt:		Blattzahl:		Format	
CATIA:003437-10_AZ1_PEO.CO1.02		2008-06-30 04:32		01		01		A3	
Dok.-Status:		FR (Freigegeben/Released)		Dok.-Status:		FR (Freigegeben/Released)		Dok.-Status:	